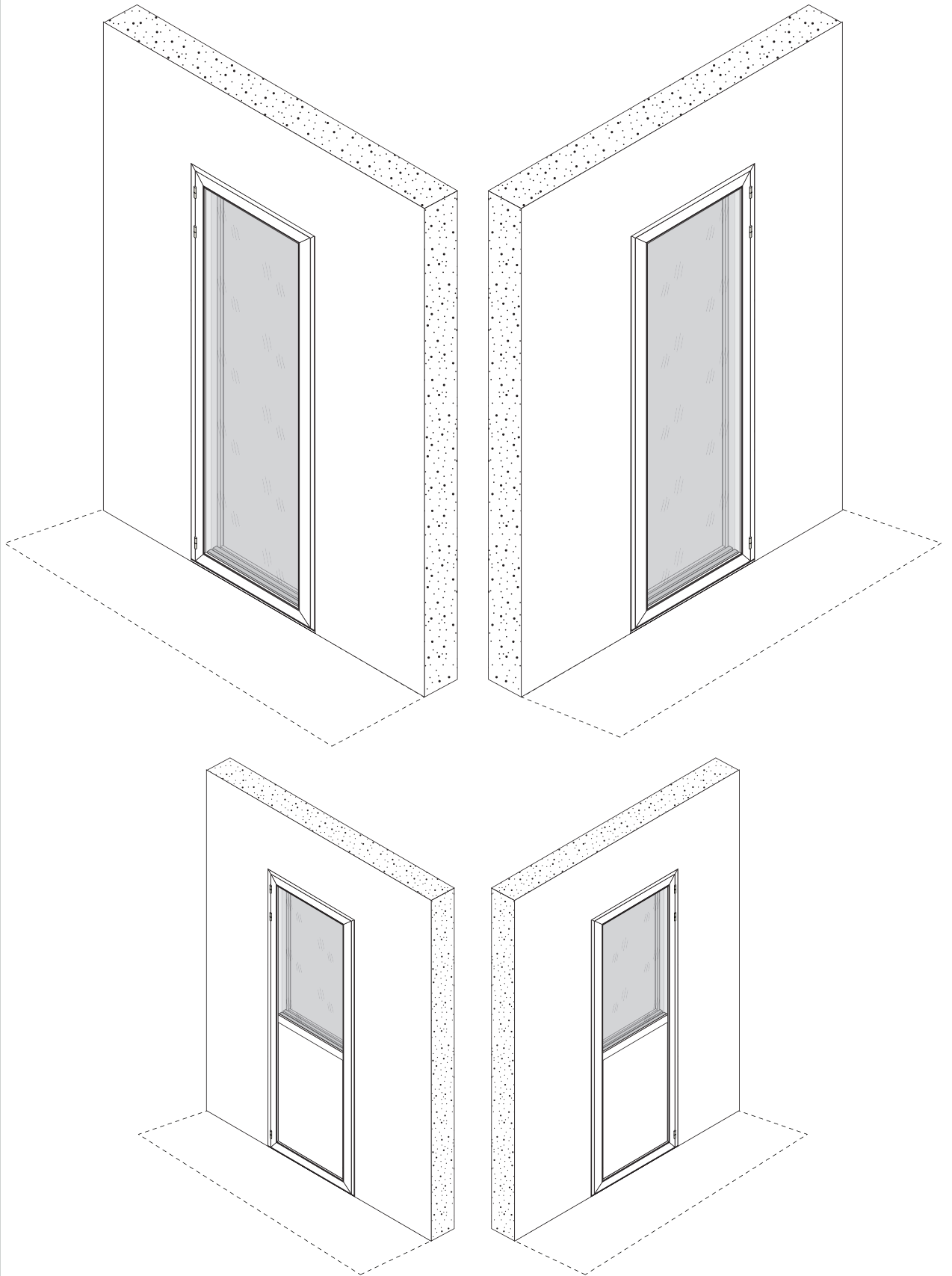


BLECKHALL

INSTALLATIONSANVISNING



L1

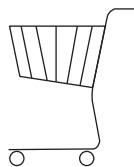
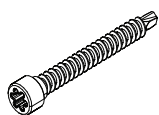
10



A

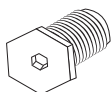
WW1

8 x



WW2

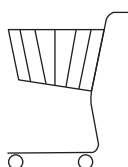
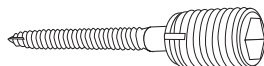
8 x



B

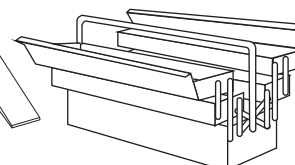
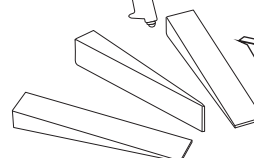
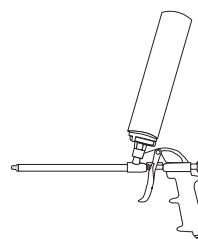
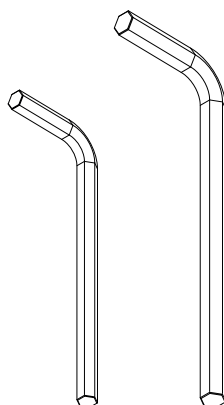
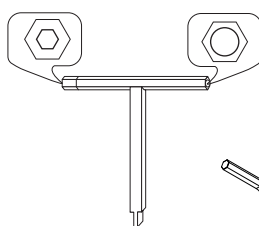
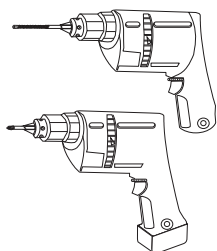
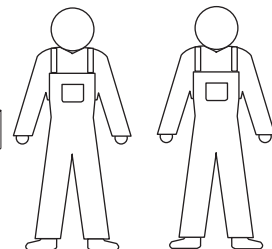
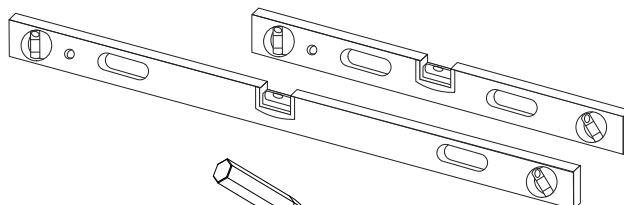
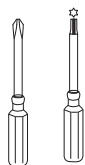
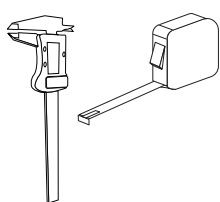
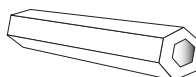
ZZ1

8 x

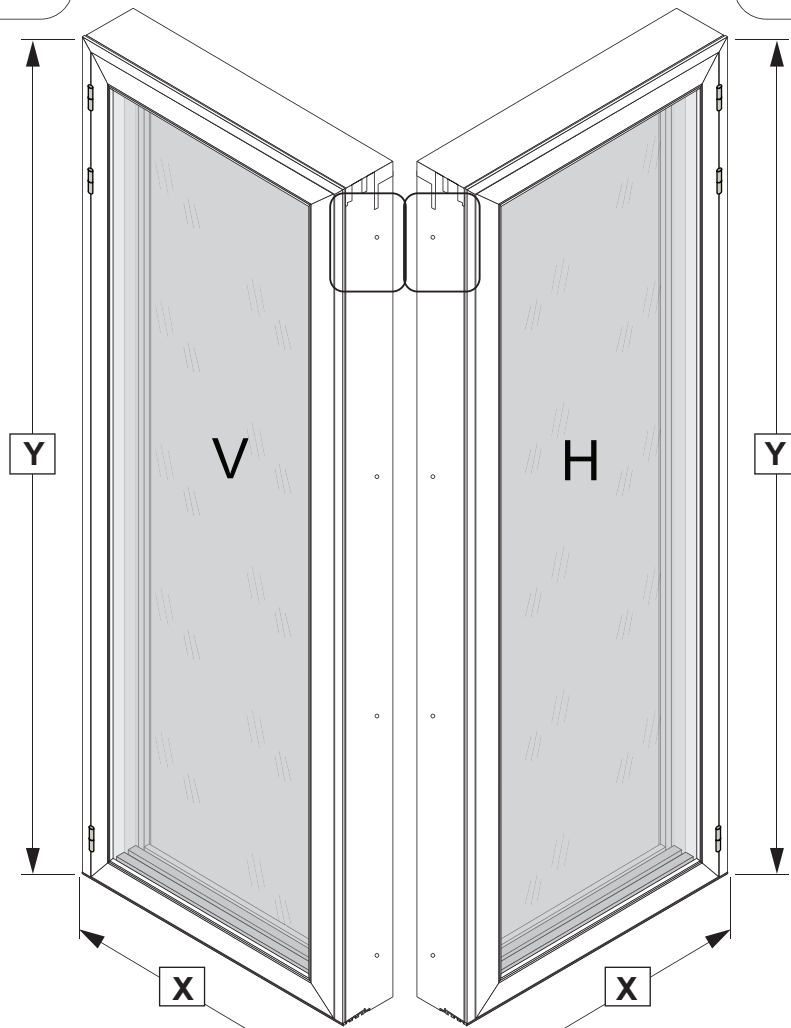
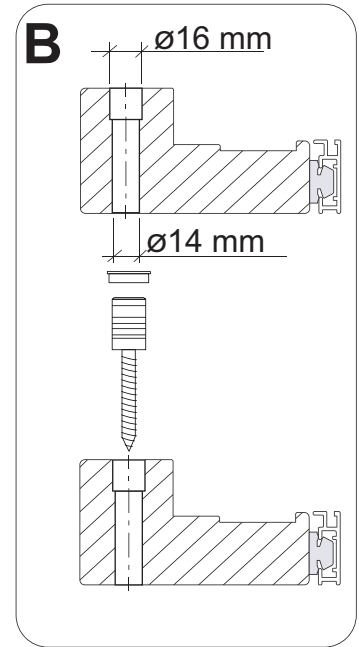
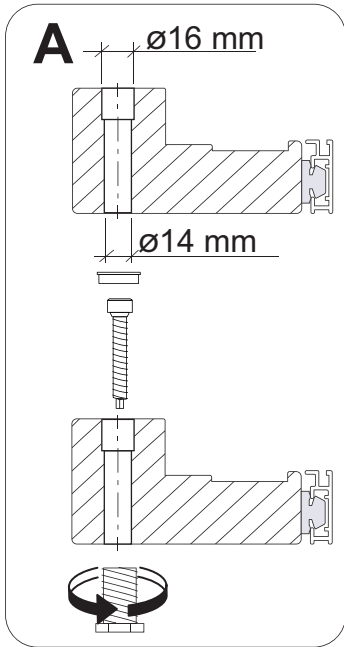


Z

1

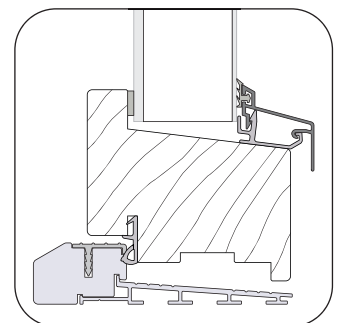
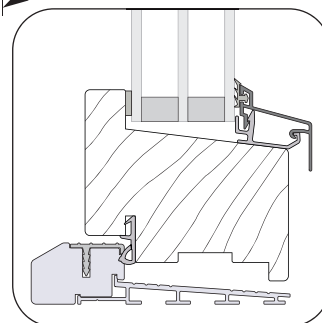
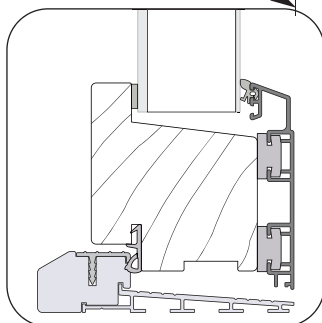
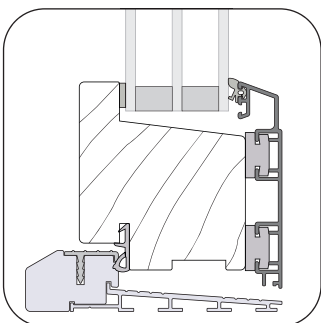


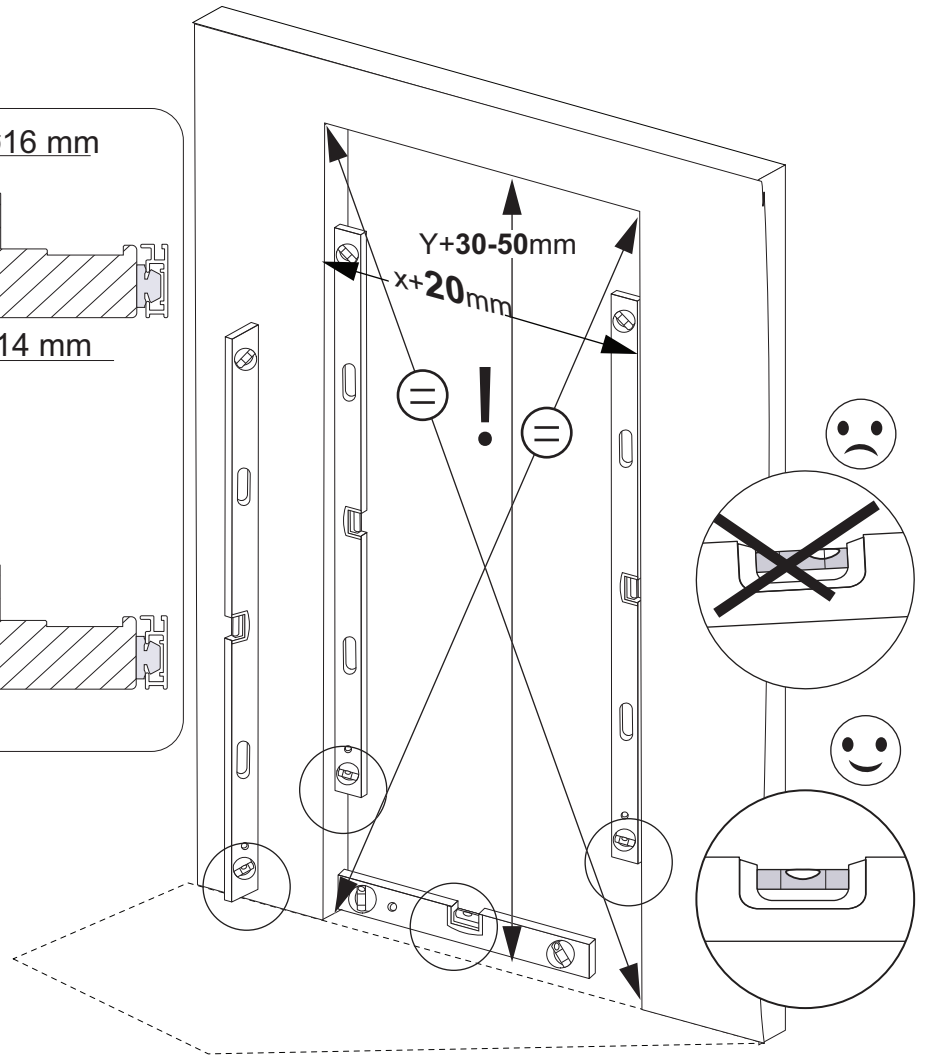
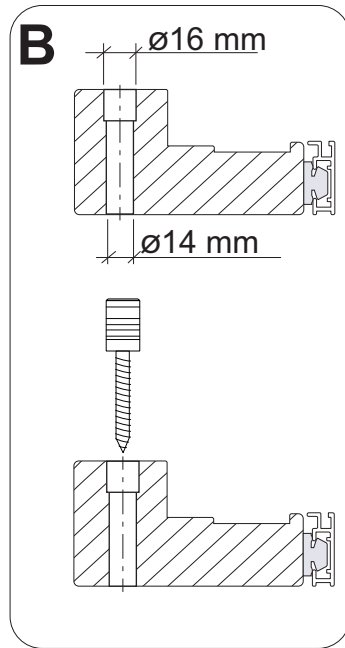
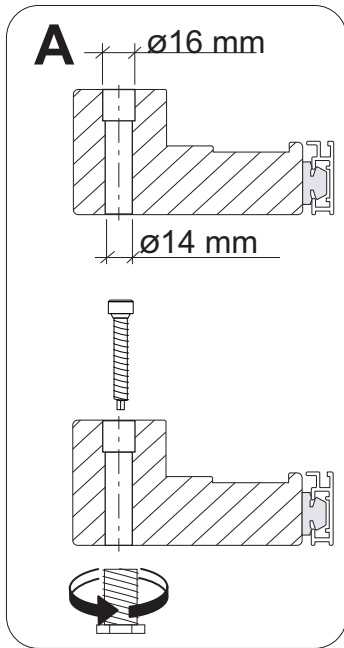
3,0mm 8,0mm 10,0mm

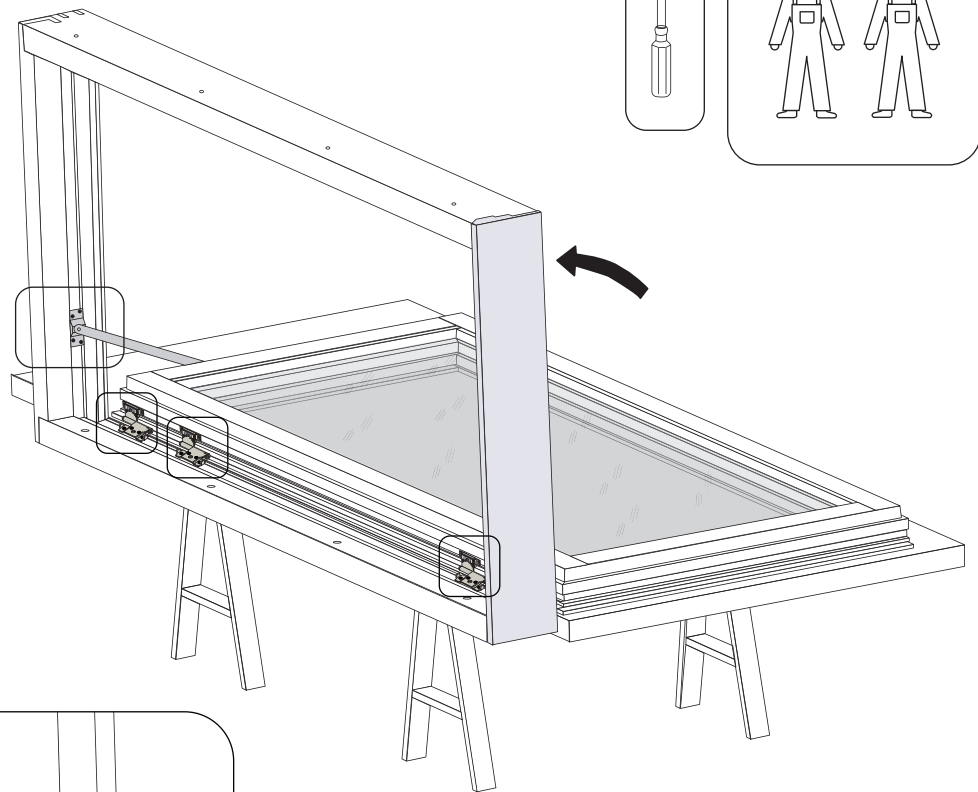
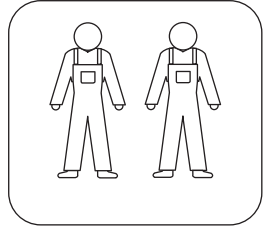
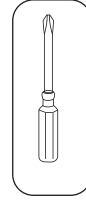


Trä/Alu

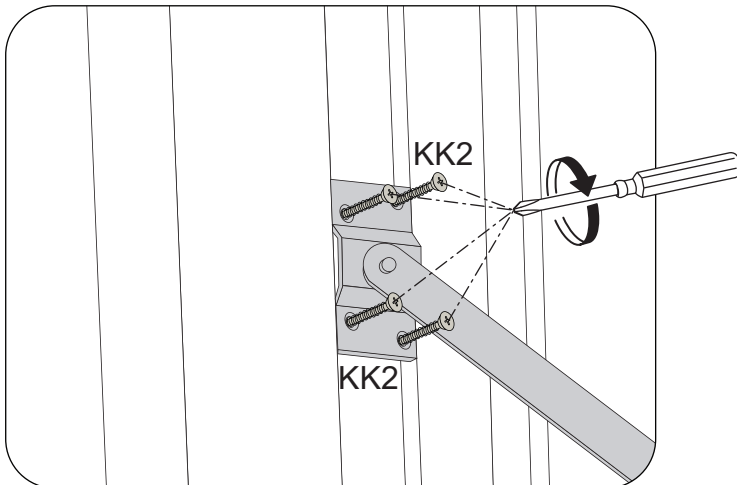
Trä



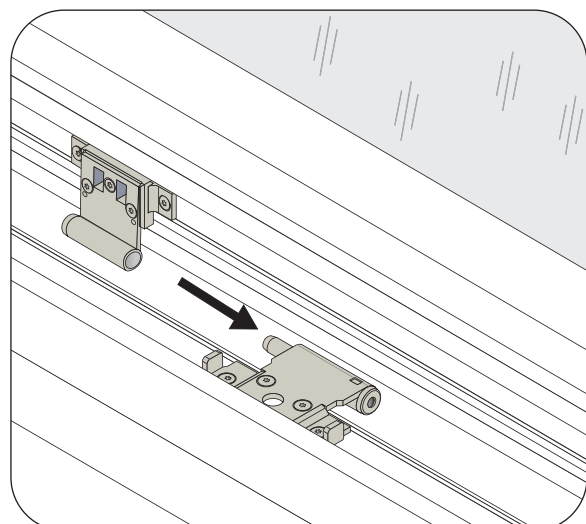


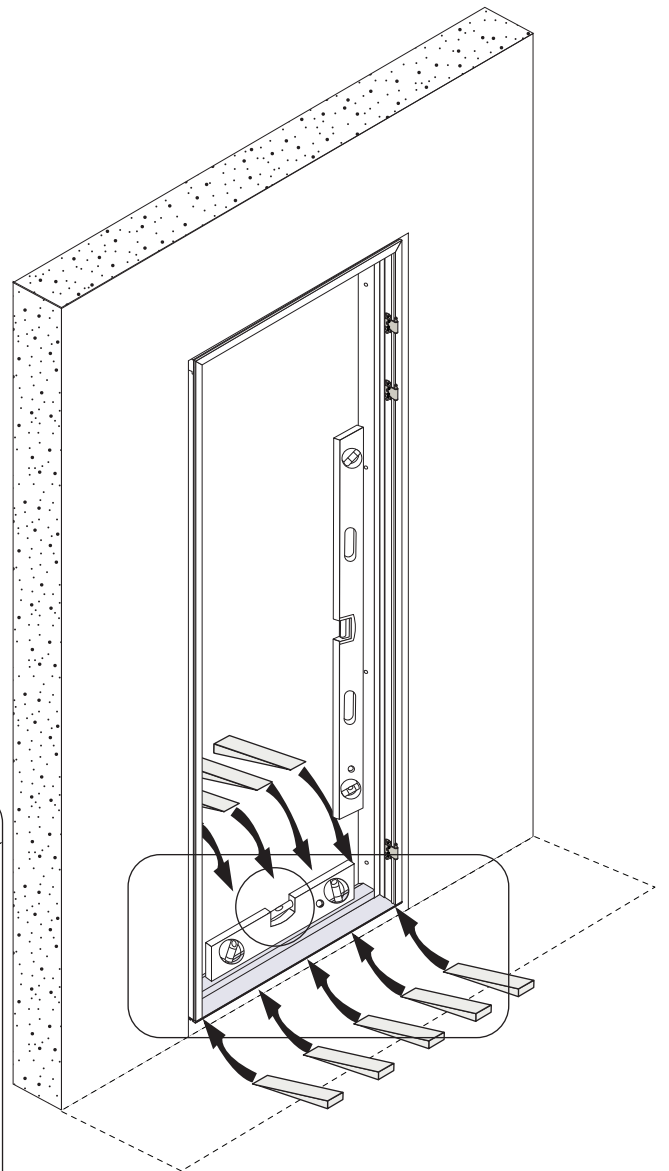
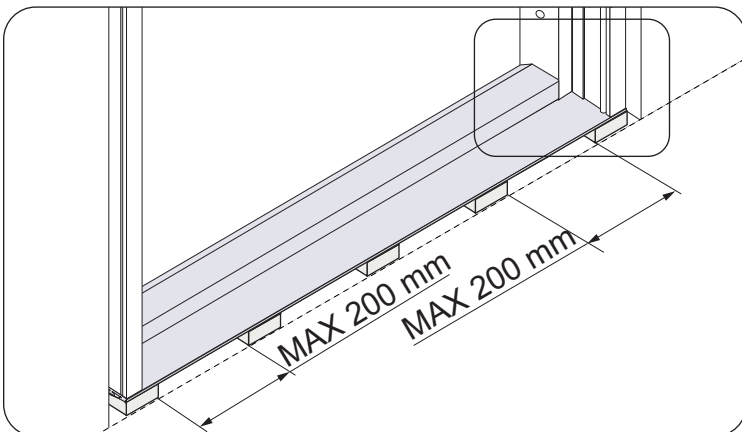
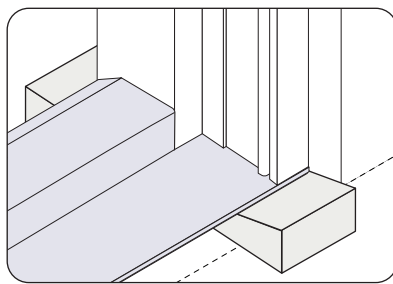
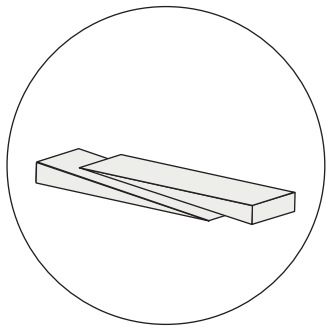
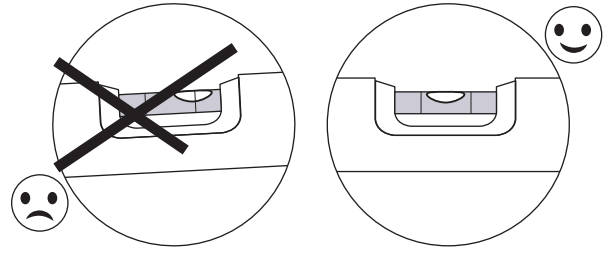
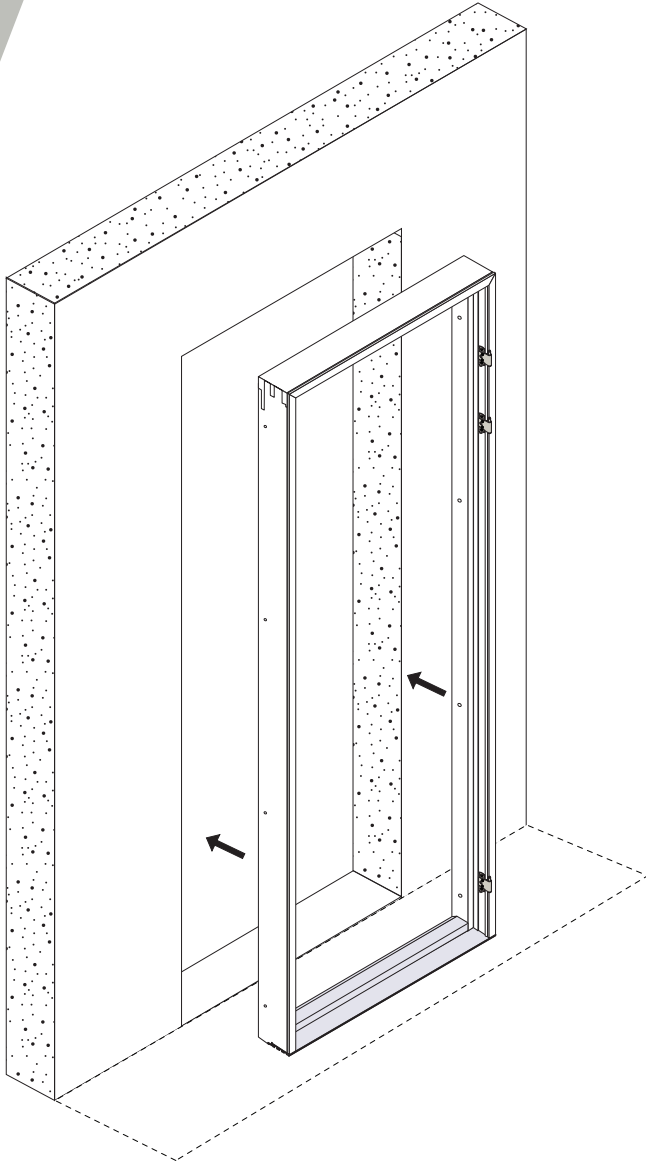


1.



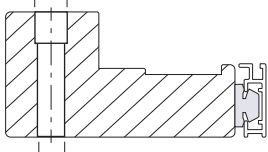
2.



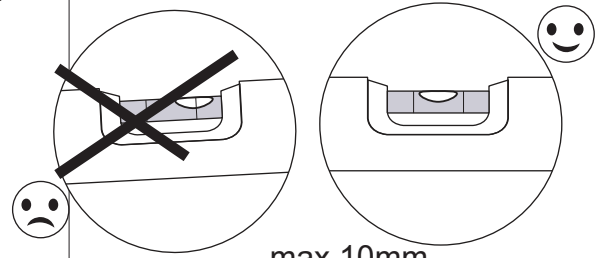
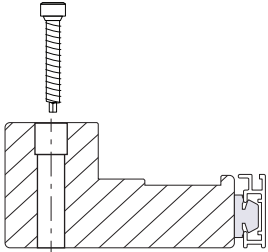


4A

A $\varnothing 16\text{ mm}$

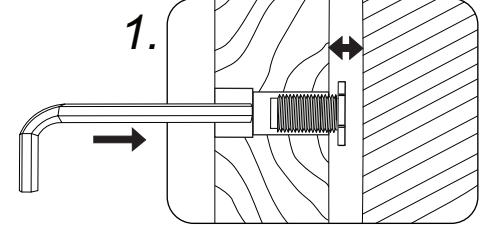


$\varnothing 14\text{ mm}$

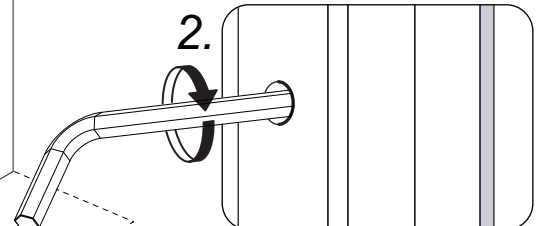


max 10mm

1.



2.



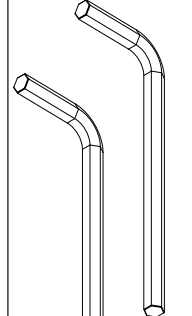
WW2

WW2

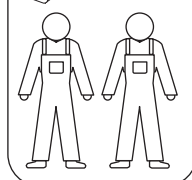
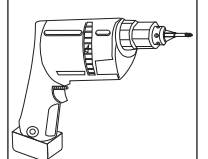
WW2

WW2

8,0mm



10,0mm



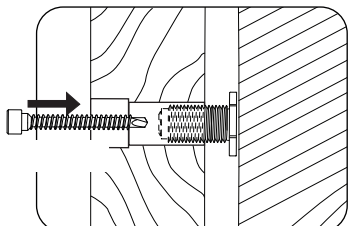
WW1

WW1

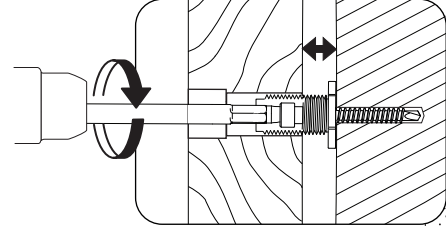
WW1

WW1

1.

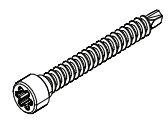


2.



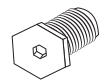
WW1

4 x



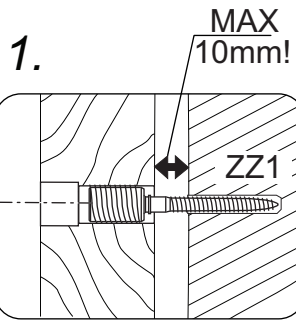
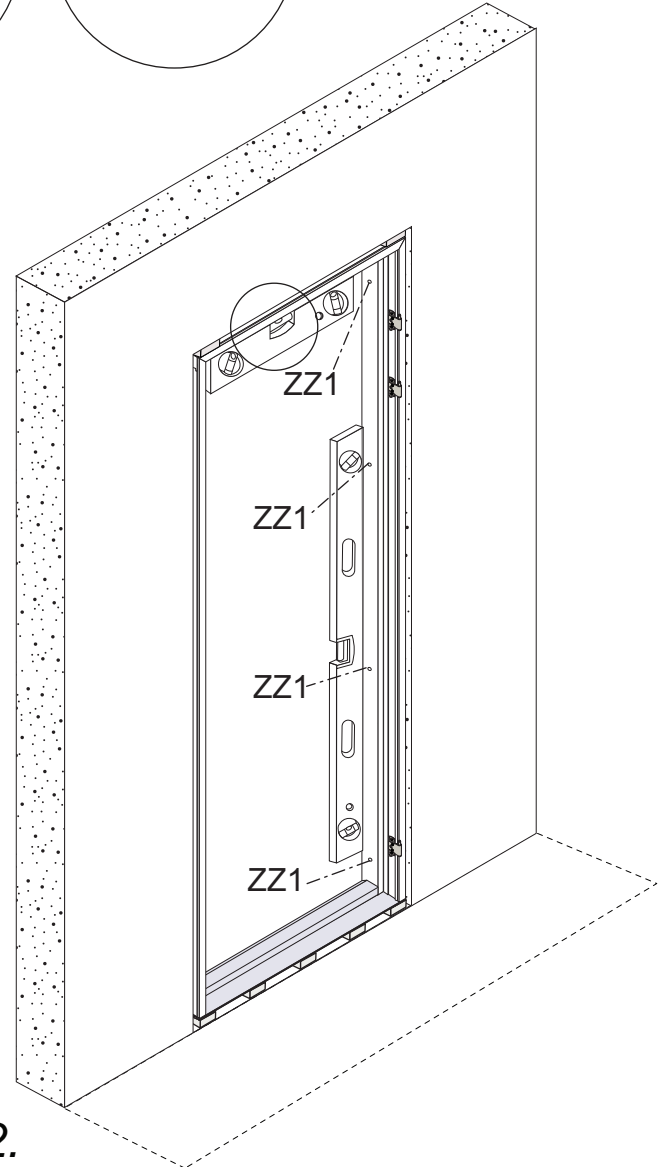
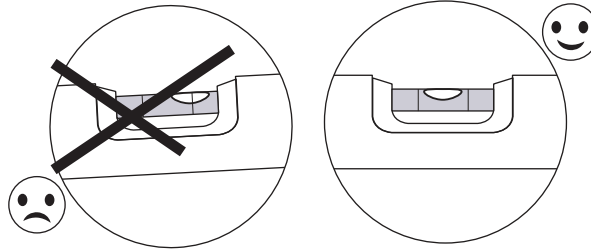
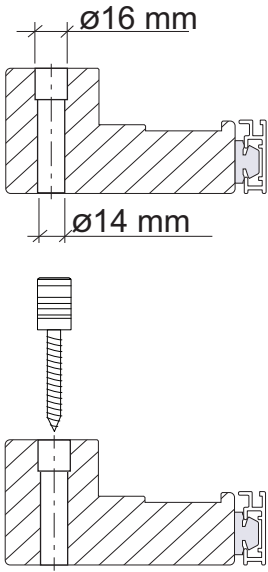
WW2

8 x

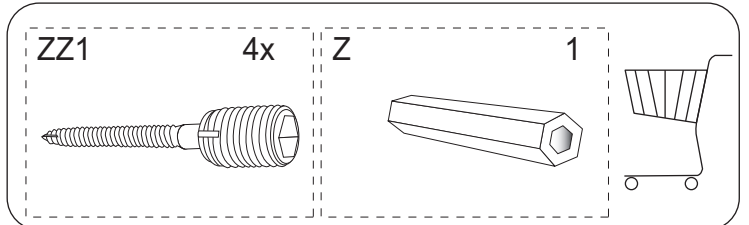
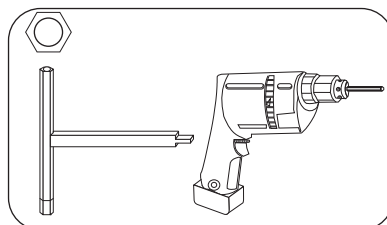
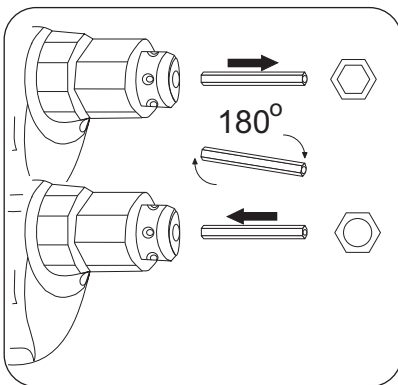
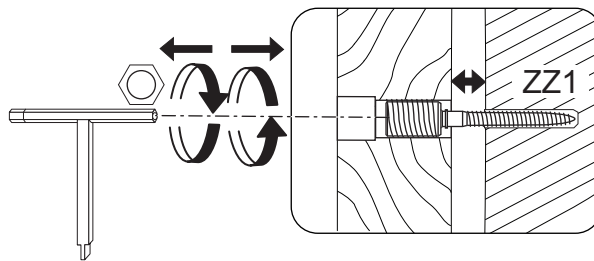


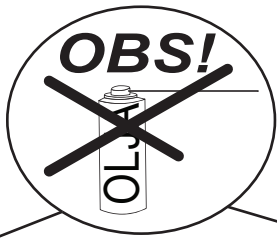
4B

B

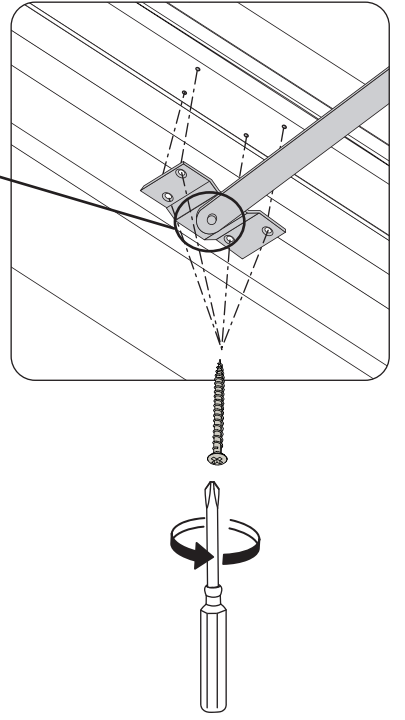


2.

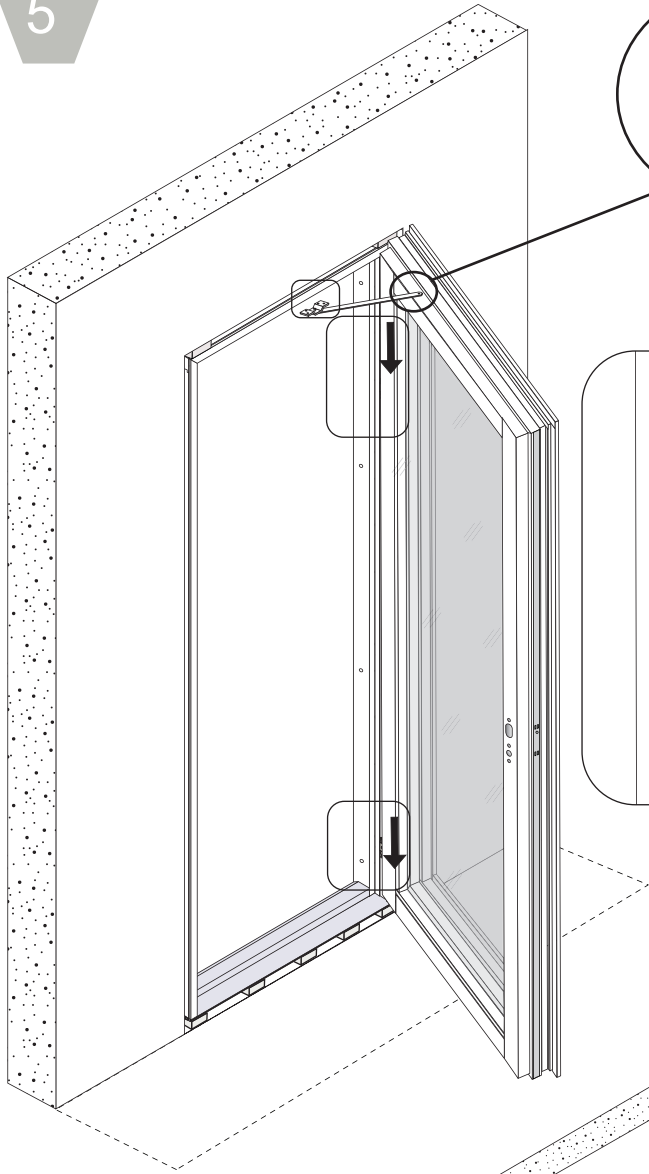
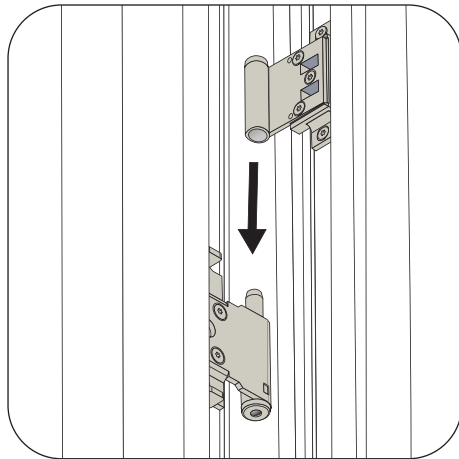




2.

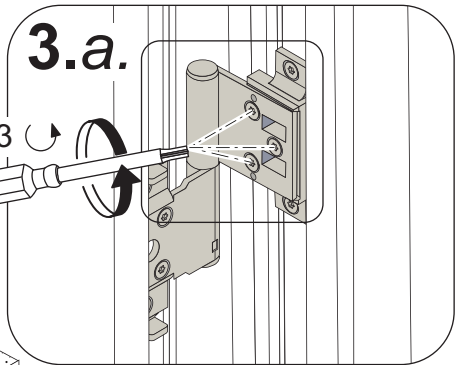


1.

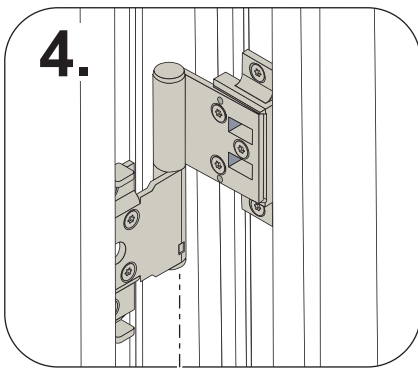


3.a.

MAX 3



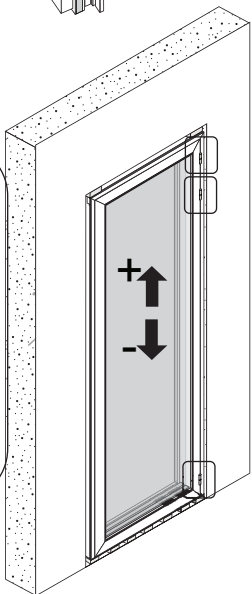
4.



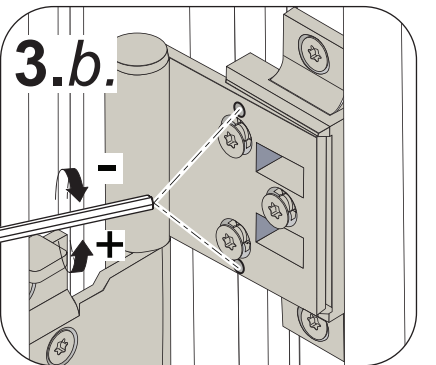
+ 2,0mm



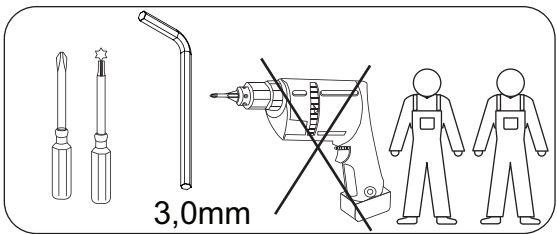
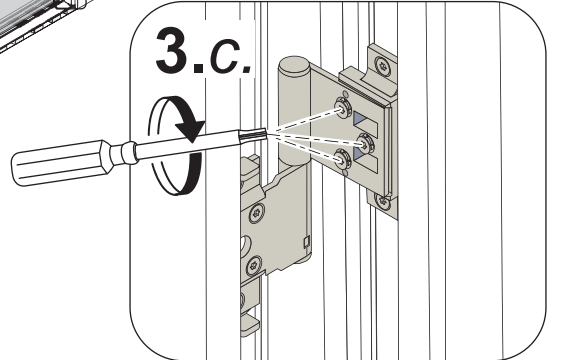
- 2,0mm



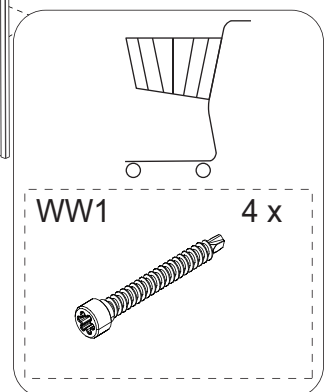
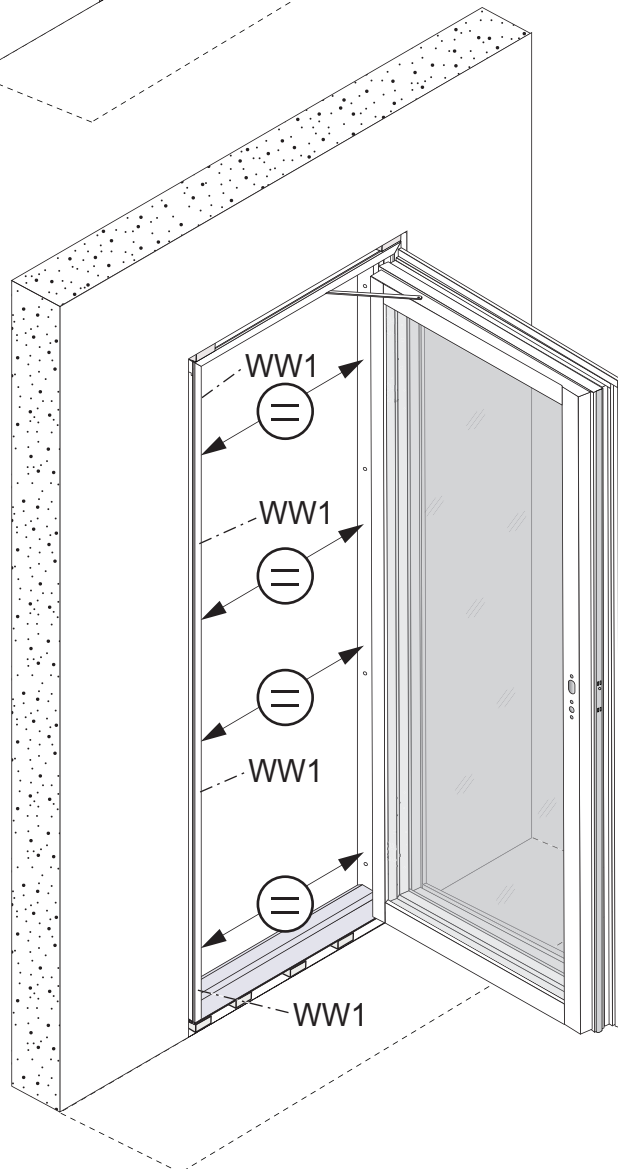
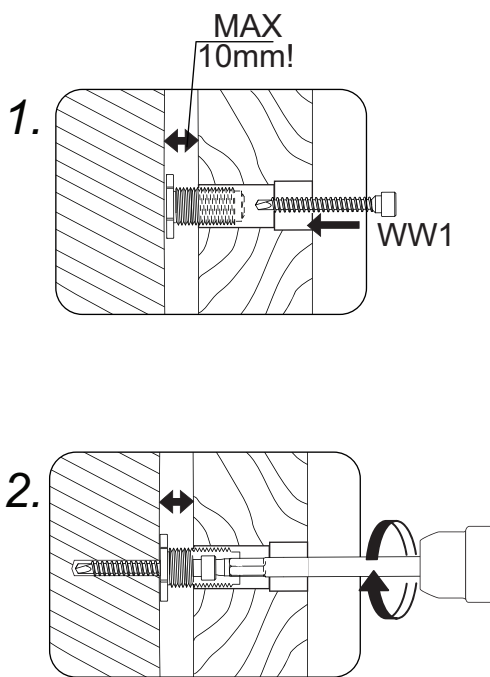
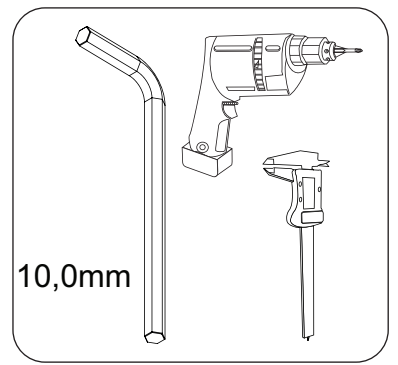
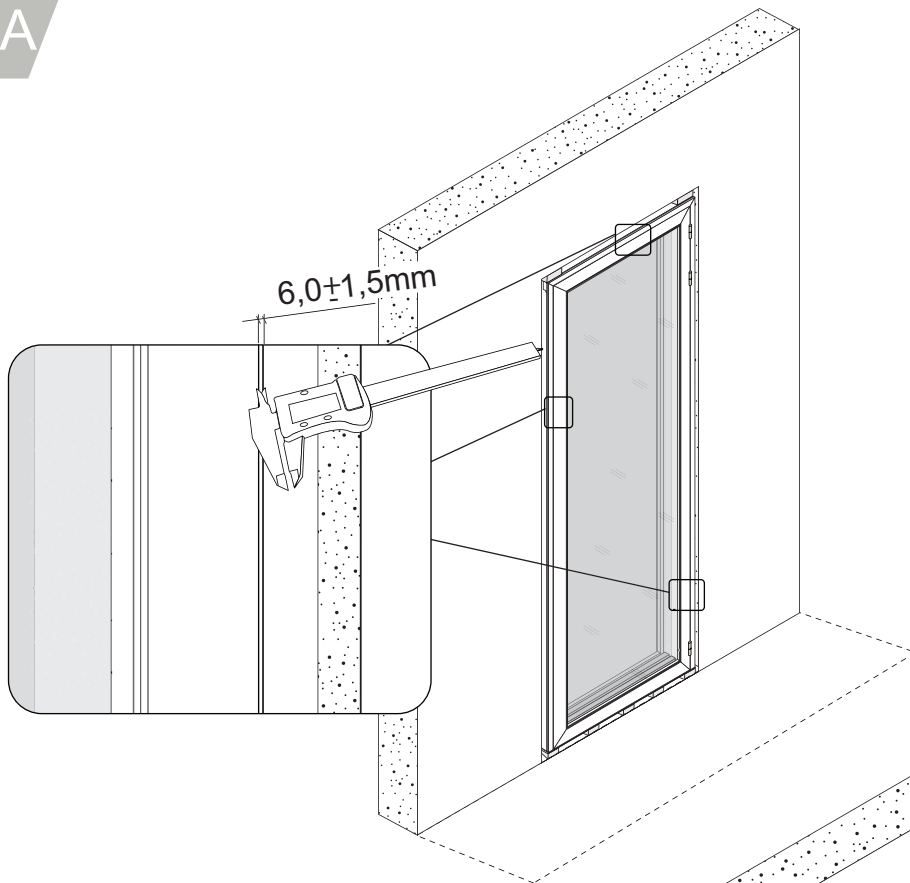
3.b.



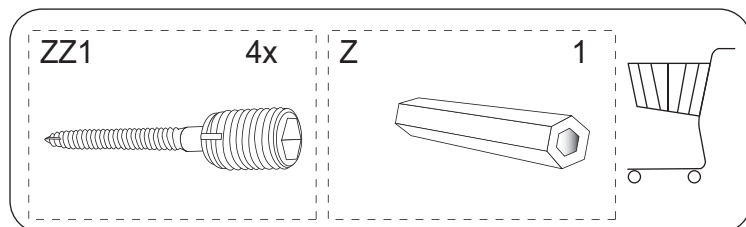
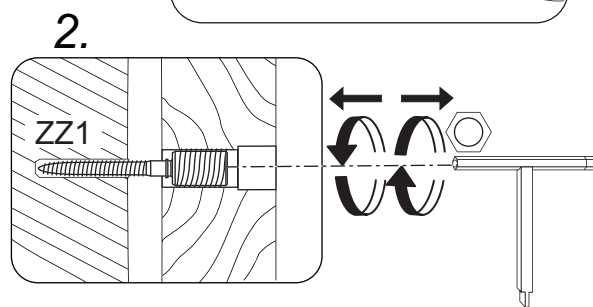
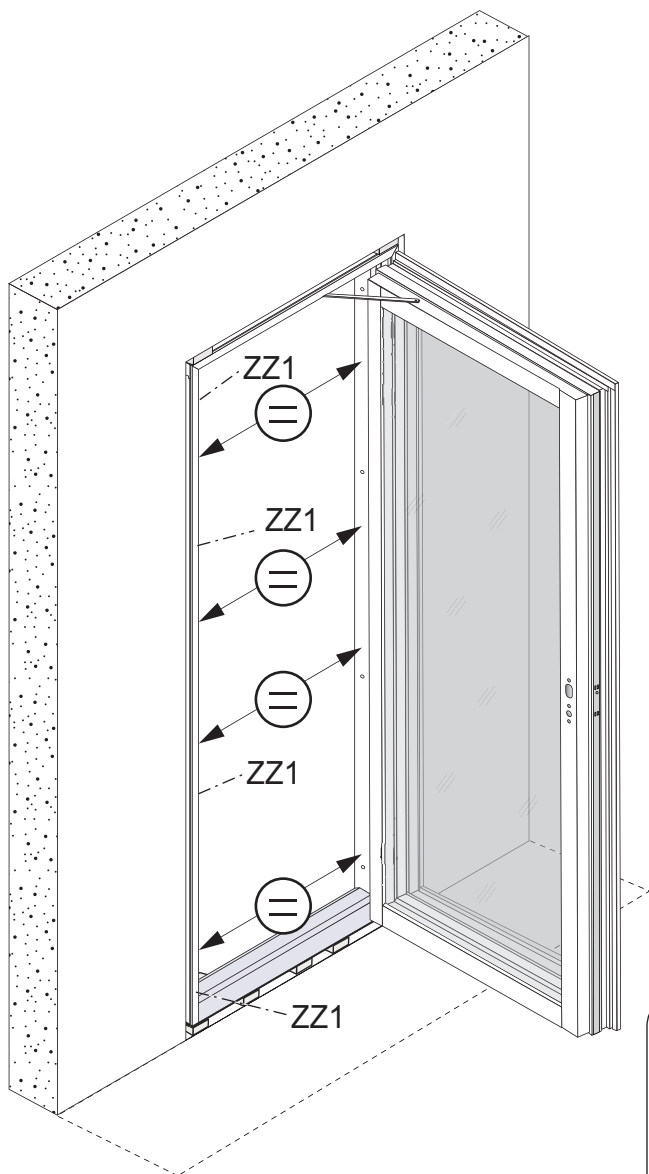
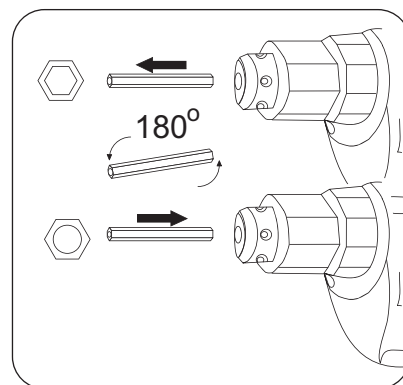
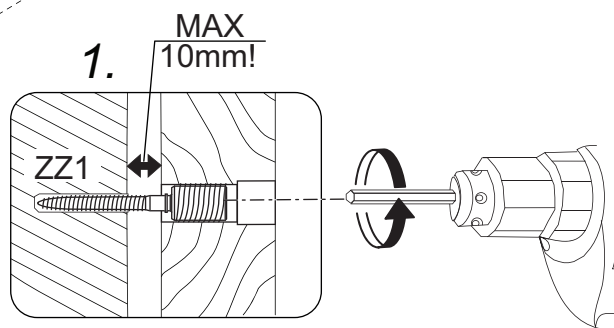
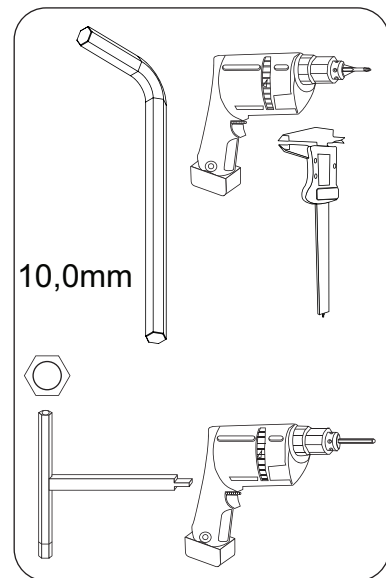
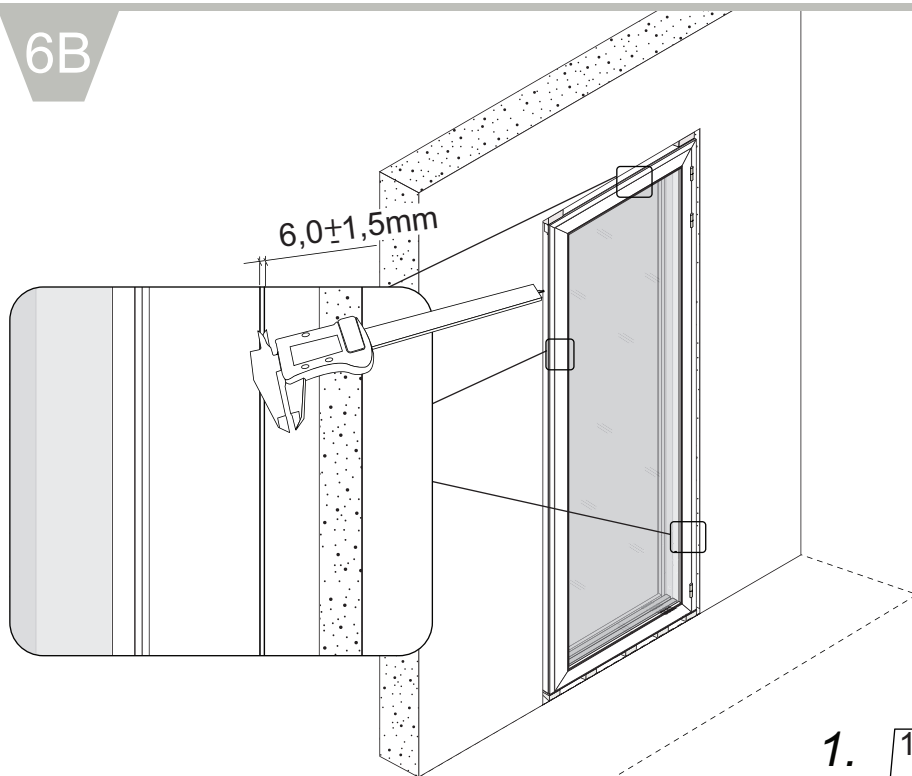
3.c.



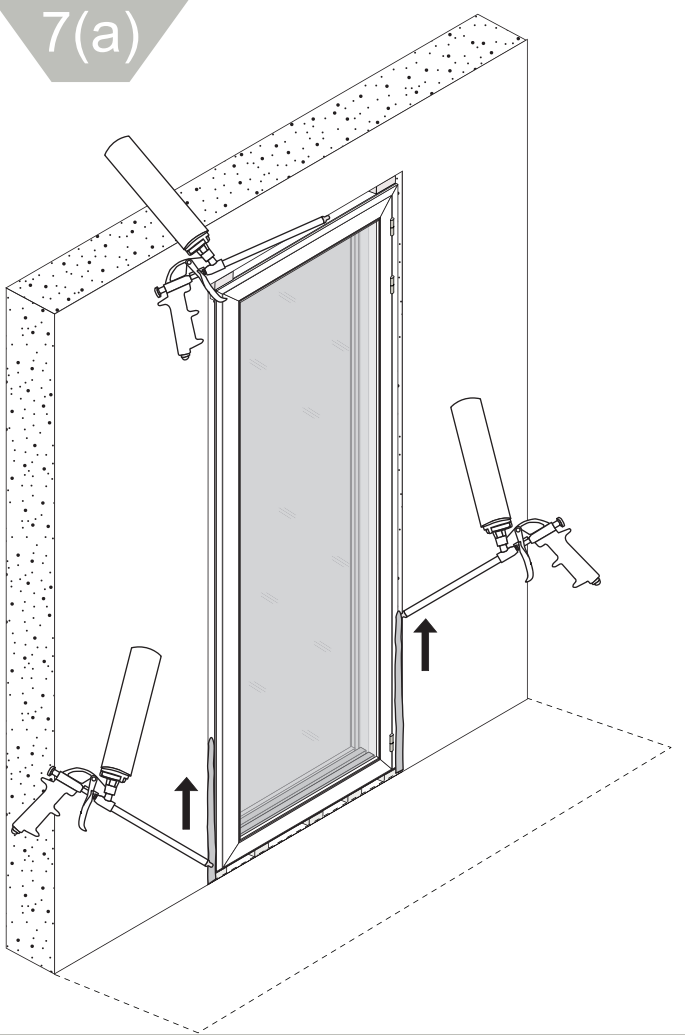
3,0mm



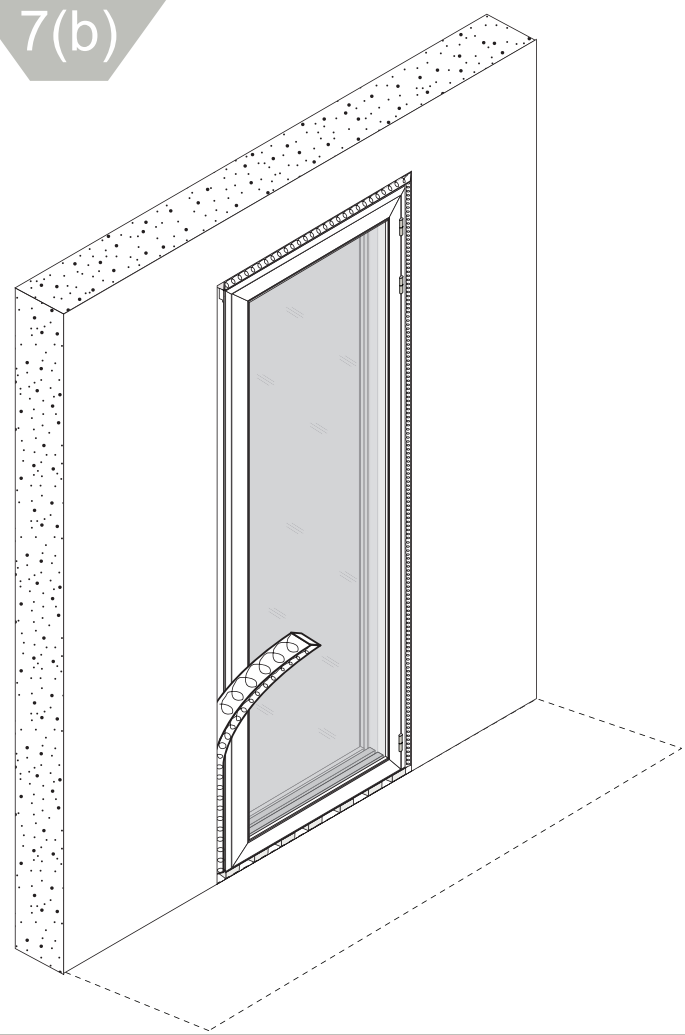
6B



7(a)



7(b)



8

